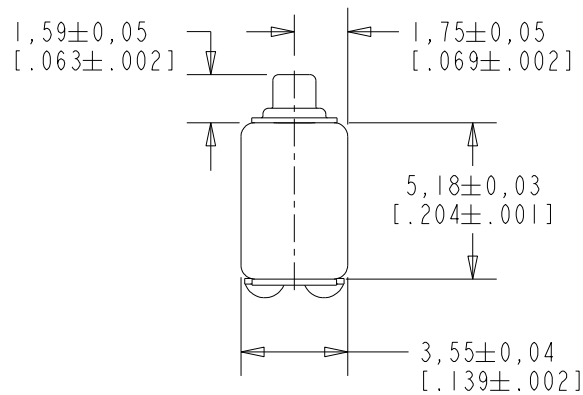


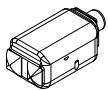
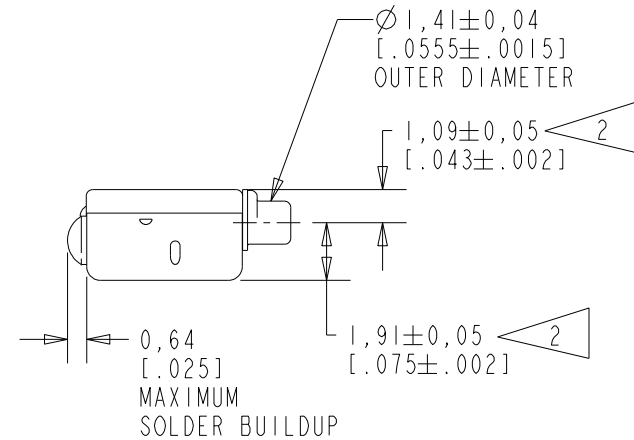
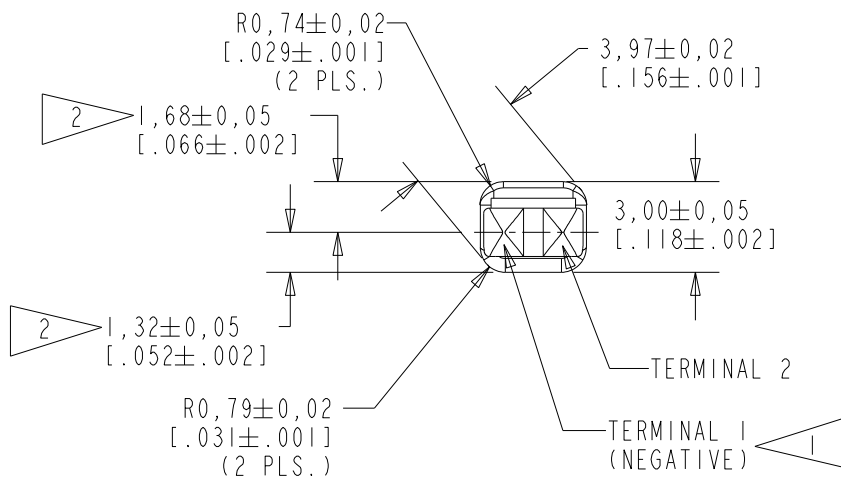
FFC-26171-104

SHT 1.1



NOTES:

- 1 A POSITIVE GOING VOLTAGE AT TERMINAL 2, RELATIVE TO TERMINAL 1, CAUSES A DECREASE IN PRESSURE AT THE SOUND OUTLET.
- 2 LOCATED FROM TWO SURFACES FOR CUSTOMER CONVENIENCE. ONLY APPLICABLE FROM ONE SURFACE, NOT TO BE USED TOGETHER.



SCALE 2:1
 NOMINAL WEIGHT .23 GRAMS
 DIMENSIONS IN MILLIMETERS [INCHES]

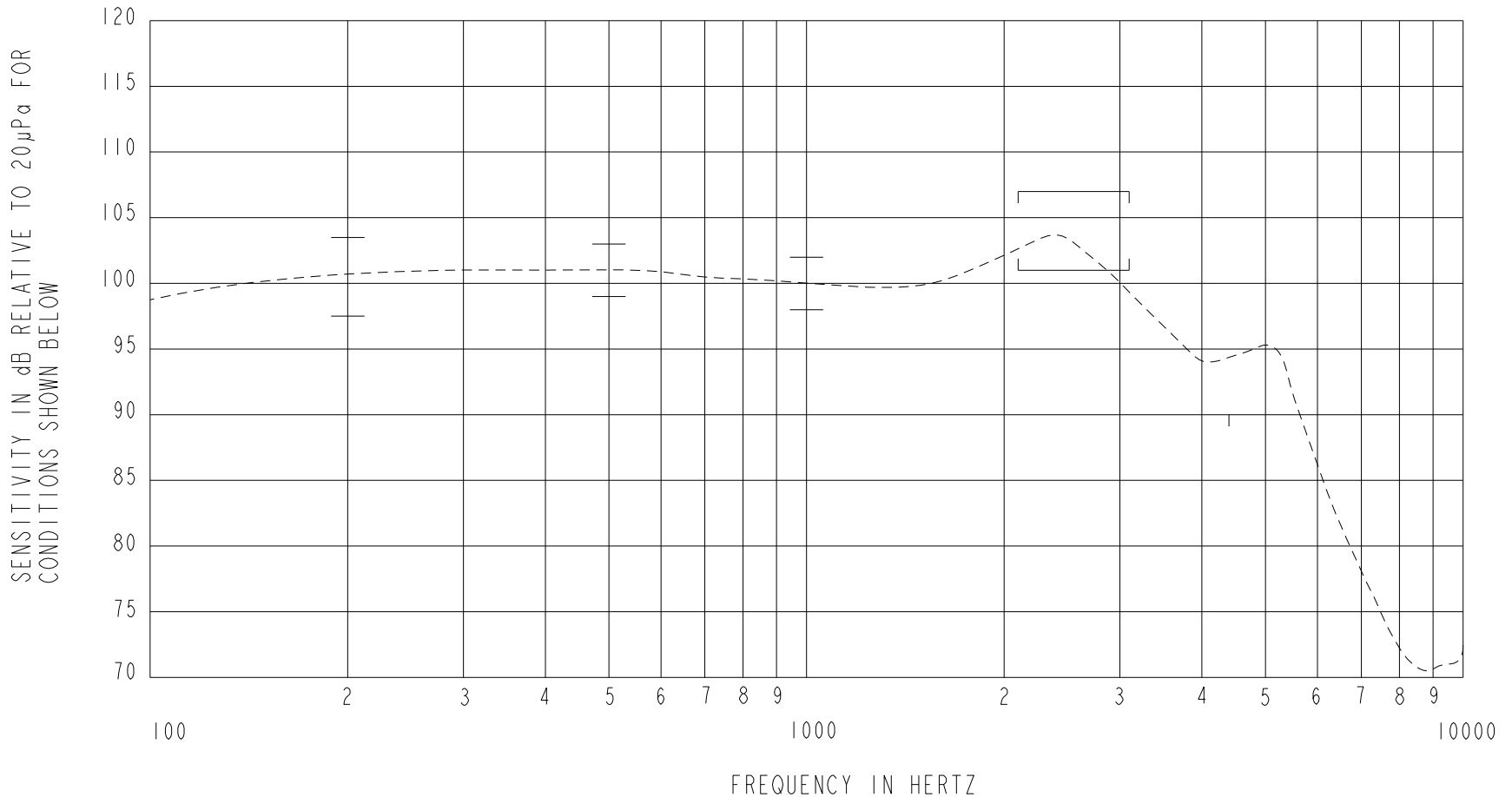
Revision	C.O. #	Implementation Date	RELEASE LEVEL	REVISION
C	PI0001102	1-10-17	Active	C
B	CI0104205	5-11-06		
A	CI0102801	7-18-05		

SCALE: 4:1		DR. BY: AB	DATE: 7-18-05
DO NOT SCALE DRAWING			
TITLE: RECEIVER	FFC-26171-104	GJP	7-18-05
OUTLINE DRAWING	SHT 1.1	APP. BY: GJP	DATE: 7-18-05

KNOWLES CORPORATION

THE FFC-26171-104 IS A FERROFLUID DAMPED FC-6171 RECEIVER WITH A PEAK OF 4dB RELATIVE TO THE SENSITIVITY AT 1kHz UNDER CONSTANT VOLTAGE DRIVE CONDITIONS.

CONSTANT VOLTAGE DRIVE CONDITIONS



ACOUSTICAL

SENSITIVITY
DEVICE WILL PRODUCE THE SPL LISTED BELOW UNDER TEST CONDITIONS DESCRIBED IN TABLE 3.
NOMINAL SENSITIVITY AT 1kHz IS dB RELATIVE TO 20µPa. ALL OTHER VALUES
IN dB RELATIVE TO THE SENSITIVITY AT 1kHz.

FREQUENCY (Hz)	MINIMUM	NOMINAL	MAXIMUM
200	-2.5	+0.5	+3.5
500	-1.0	+1.0	+3.0
1000	-2.0	+100.0	+2.0
2100 - 3100	+1.0	+4.0	+7.0
4400	-10.0	---	---

PORT LOCATION: 12C

TABLE 1

TOTAL HARMONIC DISTORTION
DEVICE WILL NOT EXCEED TOTAL HARMONIC DISTORTION LEVELS LISTED BELOW.

FREQUENCY (Hz)	AC DRIVE (V rms)	DC BIAS (V)	LIMIT (%)
500	0.48	0	10
870	0.24	0	6
1300	0.24	0	6

TABLE 2

TEST CONDITIONS

NOMINAL SOURCE VOLTAGE	0.24 V rms, 0 mA DC BIAS
SOURCE IMPEDANCE	<1 Ohm
TUBING	10mm [.394"] LONG, 1mm [.039"] I.D.
COUPLER CAVITY	2 CM ³ , SIMULATED ANSI S3.7 TYPE HA-3 (IEC 60318-5)

TABLE 3

ELECTRICAL

DC RESISTANCE	135.5 Ohms ± 10%
IMPEDANCE @ 500 Hz	170 Ohms ± 15%
IMPEDANCE @ 1kHz	230 Ohms ± 15%

TABLE 4

ISOLATION: CASE WILL BE ELECTRICALLY ISOLATED FROM THE COIL CIRCUIT.

TEMPERATURE: OPERATING RANGE FROM 0°C TO 63°C (SENSITIVITY WILL NOT VARY BY MORE THAN ±3 dB WITHIN RANGE)
SENSITIVITY AT 0°C IS 2dB LOWER THAN THE SENSITIVITY AT ROOM TEMPERATURE.
DELTA PEAK IS 1.5dB HIGHER AT BODY TEMPERATURE (37°C)
STORAGE RANGE FROM -40°C TO 63°C

Revision	C.O. #	Implementation Date	RELEASE LEVEL	REVISION
C	PI0001102	1-10-17	Active	C
B	CI0104205	5-11-06		
A	CI0102801	7-18-05		

KNOWLES CORPORATION

WHEN TEST LIMITS ARE USED TO ESTABLISH INCOMING INSPECTION ACCEPTANCE/REJECTION CRITERIA, CORRELATION OF TEST EQUIPMENT WITH KNOWLES IS ALSO REQUIRED FOR ELIMINATION OF EQUIPMENT AND TEST METHOD VARIATION

TITLE: RECEIVER
PERFORMANCE SPECIFICATION

FFC-26171-104
SHT 2.1

DR. BY	DATE
AB	7-18-05
CK. BY	DATE
GJP	7-18-05
APP. BY	DATE
GJP	7-18-05